



B-SERIES PARTS COUNTERMAN'S CATALOG

Section 4 Electrical



WHAT YOU WILL FIND IN THIS SECTION...

Arrowboards

Back-up Alarms

Lamps

Sensors

Strobes

Switches

AQUATECH[®]

MISCELLANEOUS ELECTRICAL PARTS

 <p>A120610 Push Button Switch</p>	 <p>A121780 Push Button Switch</p>	 <p>A121862 20 Pole Terminal Strip A121863 30 Pole Terminal Strip</p>
 <p>Fits 3/4" hole</p> <p>A122003 12VDC Green Pilot Light</p>	 <p>Fits 3/4" hole</p> <p>A122007 12VDC Red Pilot Light</p>	 <p>12VDC Fits 18mm hole</p> <p>A388545 Green Glow LED Pilot Light A388546 Red Glow LED Pilot Light</p>
 <p>Fits 22mm hole</p> <p>A122003-LED-24 5-28VDC Green Pilot Light</p>	 <p>Fits 22mm hole</p> <p>A122007-LED-24 5-28VDC Red Pilot Light</p>	 <p>A110517-SOL Green Valve Solenoid Coil</p>
 <p>A120863 Throttle Selector Switch</p>	 <p>13-1250 Body Builder 12V Changeover Relay</p>	

TYPICAL CAB SWITCHES FOR B-SERIES MACHINES

PTO Enable	Unit Power	Low Water Warning	Exhauster	PTO	Water Pump
					
A120180	A120866	A120867	A120861	A120861	A120861
SPST, Off - On	SPST, Off - On	SPDT, On - Off - On	SPDT, On - On	SPDT, On - On	SPDT, On - On
25A @ 12VDC	25A @ 12VDC	25A @ 12VDC	25A @ 12VDC	25A @ 12VDC	25A @ 12VDC
2 screw terminals with blade adapters	4 screw terminals	5 screw terminals	3 blade terminals	3 blade terminals	3 blade terminals
	Lighted switch on - glows red off - no light	Lighted switch up (on) - glows red middle (off) - no light down (on) - glows wht.			
Disables drivetrain feedback to vehicle ECM. NOTE: Original switch supplied and installed by truck dealership. Replacement may not match exactly.	Master power switch	Up = Winter Operation Middle = Off Down = Summer Operation Winter position turns low water warning light on sooner.	On position engages the positive displacement exhauster (blower)	On position shifts PTO from Road mode to Work mode	On position engages the water pump



If you are working on an International truck with Diamond Logic and your dash switches look like the ones to the left, order p/n 3549776C4 rocker switch array from your local International truck dealership.

TOGGLE SWITCHES

PART NO.	PICTURE	FUNCTION	DESCRIPTION	WHERE USED
5582		SPST, Off - On	2 screw terminals, 25A@12VDC	On/Off switch for various accessories on O'Brien units
A120180-1		SPST, Off - On	plasticized 2 wires, 25A@12VDC	Floodlight
A120180		SPST, Off - On	2 screw terminals with blade adapters, 25A@12VDC	All 6 Cab Switches: C2000 Cab Boom Power Kill Switch: B Series Cab PTO Enable Switch: B Series Strobe Light Switch: SJ600
A120866		SPST, Off - On	4 screw terminals, lighted switch on - glows red switch off - no light 25A@12VDC	Cab Unit Power Switch
A120859-1		SPST, Off - Mom. On	2 screw terminals, 25A@12VDC	Side & Rear Panel Boom Flap: B-Series Blower & Water Pump Switches on Freightliners with Smart-Plex
A121730		SPDT, On - Off - On	3 screw terminals, 25A@12VDC	ECV5015 and ECV5025
A120867		SPDT, On - Off - On	5 screw terminals, lighted switch up (on) - glows red middle (off) - no light switch down (on) - glows wht. 25A@12VDC	Cab Winter/Summer Switch: B series & SJ Trucks
A120861-2		SPDT, Mom. On - Off - Mom. On	3 screw terminals, 25A@12VDC	Pivoting Platform Switch: SJ Trucks Rear Panel Foot Pedal Override Switch: B-Series Reel Articulation Switch: SJ Trucks Side Panel, Boom Controls, in/out, left/right, up/down: B Series Side Panel, Rear Door (tailgate) open/close: B Series Side Panel, Rear Door Locks - lock/unlock: B series Throttle Control (units with ICM control): B Series & SJ Trucks
A120859		SPDT, Mom.On - Off - Mom.On	plasticized 3 wires, 25A@12VDC	Tank Up/Tank Down Switch: JV1000
55054		DPDT, Mom.On - Off - Mom.On	6 screw terminals, 25A@12VDC	Hose Reel Pay In/Pay Out: O'Brien units
A120861-5		SPDT, Mom.On - Off - Mom.On	3 screw terminals, 25A@12VDC	Hose Reel Pay In/Pay Out: Newer O'Brien units
A120855		DPDT, Mom.On - Off - Mom.On	6 blade terminals, 25A@12VDC	Hydrostatic Drive Linear Actuator: B-Series Throttle Control (units with linear actuator): SJ & B Series
10558		DPDT, Mom.On - Off - Mom.On	4 blade terminals, 25A@12VDC Reversing polarity switch	Electronic Throttle Switch, 3518, 3540, 7040 Reel Pay-In/Pay-Out Switch, 3510

Revised 11/19/2018

TOGGLE SWITCHES

PART NO.	PICTURE	FUNCTION	DESCRIPTION	WHERE USED
A388236		SPST, On - Mom. Off	2 blade terminals 25A@12VDC, 15A@24VDC	
A120861-3		SPDT, On - On	3 screw terminals, 25A@12VDC	Rear Panel Blower & Water Pump: B Series
A120861		SPDT, On - On	3 blade terminals, 25A@12VDC	Cab Blower & Water Pump: B Series Cab Water Pump Switch: SJ Series Front & Rear Throttle Potentiometer Selector in J-Box
A120865		SPDT, On - On	3 screw terminals, HD, 50A@6/12/24VDC	Low Water Warning Switch
A120861-1		DPDT, On - On	6 blade terminals, long handle, 25A@12VDC	Internal Floor Flush Option
A380771		DPDT, On - On	6 screw terminals, long handle, sealed stem, 25A@12VDC	Rear Panel Blower & Water Pump: B Series with A380767 Switch Guard option
A120863		4PDT, On - On	16 screw terminals, 20A@28VDC	Throttle Potentiometer selector switch
A121735		Protection	Silicone Toggle Switch Weather Boot	Any toggle switch with 15/32"-32 threaded mounting shank and a standard length bat.
44215		Protection	Silicone Toggle Switch Weather Half Boot	Any toggle switch with 15/32"-32 threaded mounting shank and a standard or long length bat.
A120145		Protection	Toggle Switch Guard	Used with A120861-3 on rear panel

Revised 11/19/2018

BACK-UP ALARMS



P/N **A120001**
12VDC, 97dB, Self Grounding



P/N **A120004**
12-24VDC, 97dB, Self Grounding



P/N **121002761** Rev A
97dB White Sound



P/N **A120006-1**
12-24VDC, 87-112dB, Self Adjusting



P/N **A121611**
12-24VDC, 112dB

LIGHT BULBS

12V

				
Ind. No. 161 12V U4106-0040	Ind. No. 194 14V A120455 U4106-0041	Ind. No. 912 12V U4106-0038	Ind. No. 1893 12V A120465	Newark No. 01M9804 Ind. No. 10-1310.1319 14V U4103-0154
				
Ind. No. 67 12V A120445	Ind. No. 89 12V U4106-0039	Ind. No. 1156 12V A383179	Ind. No. 1157 12V A383180	Ind. No. 3157 12V U4106-0037
				
Ind. No. 3157F 12V U5502-0028-2	Ind. No. 4411 12V Par36 Flood A120400-1	Ind. No. 7400 12V Par36 Spot A120010-BULB	Ind. No. 9004 12V ASP-138	H3 Halogen 12V 55W A120530-BULB

24V

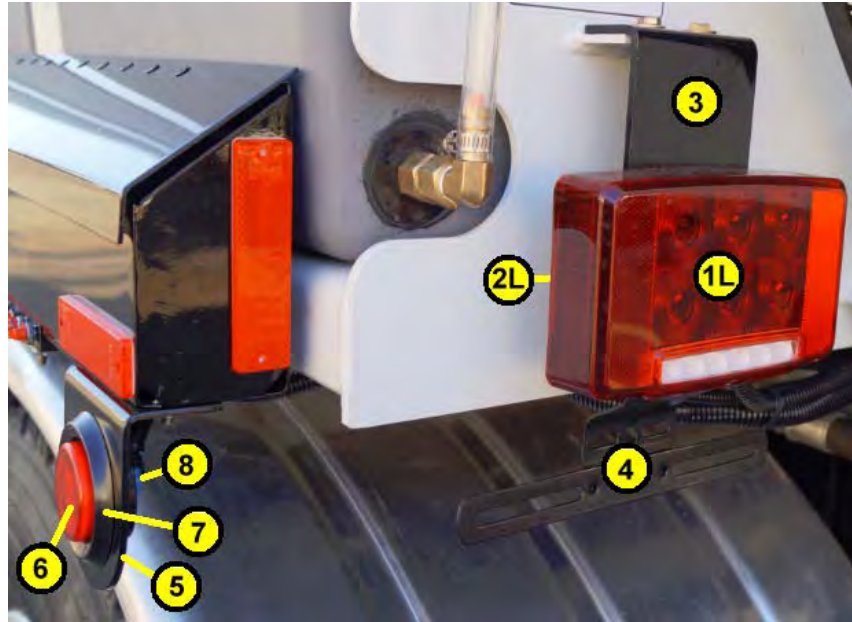
				
Ind. No. 1691 24V A120472	Ind. No. 313 28V A381223	Ind. No. 356 24V A120466	Ind. No. 1251, 24V A120446	Ind. No. 1252 24V A121485
				
Ind. No. 4589-1 28V Flood A120468	H3 Halogen 24V 70W A120469	Ind. No. 1691, 24V A120472	Newark No. 10WX4096 24V A120473	Ind. No. 4505 28V 50W Par36 Spot A120010-24BULB

Revised 3/27/2019



12V LED TAILLIGHT INSTALLATION

(REF. 121000543)



Left Hand (Driver) side shown in photo.

ITEM	Part No.	Description	Qty.
1L	121000331	LED Tail Light Assy., LH	1
1R	121000332	LED Tail Light Assy., RH	1
2L	121000541	Pigtail For LH Tail Light	1
2R	121000542	Pigtail For LH Tail Light	1
3	A380274	Bracket For Tail Light	2
4	A221190	License Plate Bracket	1
5	A338773	Marker Light Bracket	2
6	A381381	Marker Light, 2" Round LED	2
7	A381144	Grommet For 2" Round Marker Light	2
8	A380693	Pigtail For 2" Round Marker Light	2
--	121000621	Mount, Junction Box	1
--	JB10-170	Junction Box, Rectangular, Surface Mount	1



JB10-170


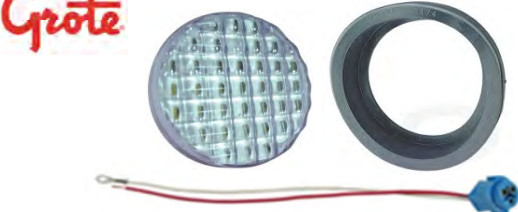


117 Industry Road • Marietta, Ohio 45750 • Tel. 740-374-2306 • Cust. Svc. Fax 740-374-3299

GROMMET MOUNTED LAMPS

PHOTO	COMPLETE KIT	LAMP ONLY	GROMMET ONLY	PIGTAIL ONLY
 <p>PETERSON MANUFACTURING COMPANY</p> <p>6" Oval Incandescent Stop, Tail & Turn Lamp</p>	U4106-0053	TBA	A380871	TBA
 <p>Grote</p> <p>6" Oval LED Stop, Tail & Turn Lamp</p>	TBA	A249803	121001382 A	A249786
 <p>Grote</p> <p>2" Round Incandescent Marker Lamp</p>	NA	A381143-24 (24V Red) A255024 (12V Amber)	A381144	
 <p>Grote</p> <p>2" Round LED Marker Lamp</p>	NA	A381381 (12V Red)		A380693
 <p>Grote</p> <p>2½" Round LED Marker Lamp</p>	NA	A380690 (12V Red) U4106-0031 (12V Red Optic Lens)	A380691	

GROMMET MOUNTED LAMPS

PHOTO	COMPLETE KIT	LAMP ONLY	GROMMET ONLY	PIGTAIL ONLY
 <p>4" LED Round Stop, Tail & Turn Lamp</p>		A249794	A249787	A249786
 <p>4" Round LED Back-up Lamp</p>	A249788-LED (12V)	A249853	A249787	TBA

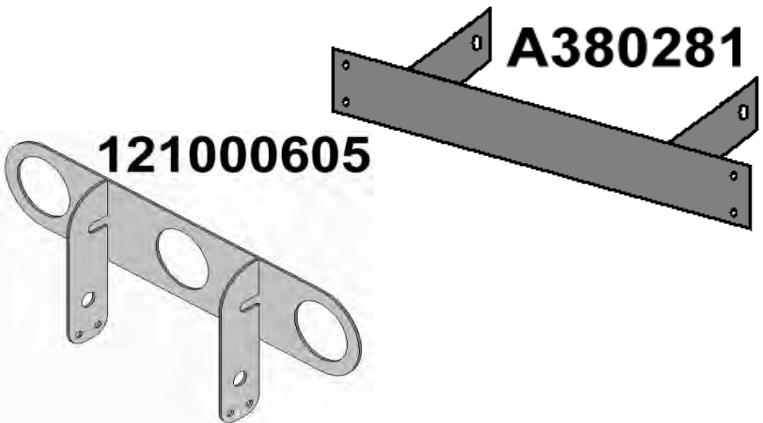
AQUATECH®

BOOM CLEARANCE LIGHT OPTIONS



A380282	A380282-1	A380282-2	A380282-3	A380282-4	A380282-LED	A380282-LED A
---------	-----------	-----------	-----------	-----------	-------------	---------------

PART NO.	DESCRIPTION	QTY	QTY	QTY	QTY	QTY	QTY
121000605	BRACKET,2" BOOM CLEARANCE LIGHT, B-6 STD BOOM					1	
121003287 A	LIGHTBAR,3-LAMP,LED,GROTE						1
A380728-1	BRACKET,2" BOOM CLEARANCE LIGHT W/LIMB GUARD			1			
A380728	BRACKET,2-1/2" BOOM CLEARANCE LIGHT		1				
A380281	BRACKET,BOOM CLEARANCE LIGHT BAR,GROTE	1				1	1
A380281-1	BRACKET,BOOM CLEARANCE LIGHT BAR,TRUCK-LITE			1			
A121056	CLAMP,3/4" RUBBER COVERED,STEEL	2	2	2	2	2	2
A120454	CLEARANCE LIGHT BAR, 3-RED LAMP.GROTE	1				1	
A304228-5	CLEARANCE LIGHT BAR, 3-RED LAMP,TRUCK-LITE			1			
A120540	CORD REEL ONLY,20' RETRACTABLE	1	1	1	1	1	1
A381144	GROMMET,2"OD MARKER LAMP			3		3	
A380691	GROMMET,2-1/2"OD MARKER LAMP		3			3	
A381381	LAMP,RED MARKER,2"OD,12V LED			3		3	
A380690	LAMP,RED MARKER,2-1/2" OD,12V LED		3			3	
A380693	PIGTAIL,2" & 2-1/2" ROUND MARK		3	3		3	3
A120180	SWITCH,TOGGLE,SPST,OFF-ON	1	1	1	1	1	1
A120927	TERMINAL,BUTT CONN.,16-14 AWG,		8	8		8	
A236182-5	WIRE GUIDE TUBE,BOOM LIGHTS,19' REACH BOOM	1	1		1	1	1
A236182-10	WIRE GUIDE TUBE,BOOM LIGHTS,25' REACH BOOM			1			
A236205	WIRE,16GA.,WHITE,PER FT.		3	3		3	



AQUATECH[®]

ARROWBOARDS

PHOTO	DESCRIPTION	INCANDESCENT	LED
	8-Lamp Arrowboard Kit Includes Controller and 55' of cable	A120394 (12V) A120394-24 (24V)	A120394-24-LED (24V)
	10-Lamp Arrowboard Kit Includes Controller and 55' of cable	A120501 (12V)	A120503 (12V)
	10-Lamp 2-Pc Arrowboard Kit Includes Controller and 55' of cable	A304409 (12V)	A120483 (12V) A304414 (12V) (Ultra-Bright)
	14-Lamp Arrowboard Kit Includes Controller and 55' of cable	A120481 (12V)	A383020 (12V)
	15-Lamp Arrowboard Kit Includes 4 function Controller: Left, Right, Split and Caution.		A120482 (12V)

10 LAMP ARROWBOARD

Traffic-Manager®

SPECIFICATIONS:

- Base: Heavy gauge enamel-dipped aluminum
- Mounting: Magnetic mount kit or hinged bracket mount kit
- Flash Modes: Left, right, double arrow, caution bar
- Size: 55"L x 13"H
- Voltage: 12 or 24VDC
- Current Draw: 20 AMP (7AMP LED)
- Warranty: 1 Year
- Color: ●
- Features:

- Includes arrow light, diagnostic controller & 25' or 50' wiring harness



FLASHING MODES	
LEFT ARROW 	RIGHT ARROW
DOUBLE ARROW 	CAUTION BAR

- 12V Incandescent w/25' Cable **OBJ-141**
- 12V LED w/25' Cable **OBJ-141-LED**
- 12V LED w/50' Cable **A383787**



Optional Plastic Back
Dust Cover
p/n OBJ-141-B



A120163



6 Lamp Amber Halogen Traffic Advisor

- Versatile high intensity warning protection
- Low profile, flush mount stand alone units. Ideal for permanent or magnetic mounting, rear deck or mounted to the rear of a lightbar. Interconnecting cable includes quick disconnect feature.
- Includes control head.
- All solid state electronics for greater reliability and cooler operation.
- Extruded aluminum cap style housing in black powder painted finish.
- 500 Series snap-in halogen lamps.
- Swivel mounting brackets included.
- Voltage (VDC) - 12.8
- Total current draw (amps) - 1.5 ea. hal.
- Description - 6 lamp, halogen, rectangular housing
- 2-1/2 x 4-7/16 x 33 (H x W x L)



A120163-2



Level	Part Number	Description	Quantity	U/M	SC
	Part Number A120163-1	* ARROWSTICK, 6-LAMP, INSTALLED ON UNIT			
1	A120163	ARROWSTICK,WHELEN 6-LAMP****	1	EA	P
1	A221665	GROMMET,RUBBER,7/16" HOLE,.093	1	EA	P
1	A380897-L	BRACKET,ARROW BOARD MOUNT,LH,B	1	EA	M
1	A380897-R	BRACKET,ARROW BOARD MOUNT,RH,B	1	EA	M

SIGNAL BARS

8-Lamp Halogen Safety Director



Features 8 Flash Patterns

P/N A249901 – 12V Halogen w/35' Cable (changed to LED below)

P/N A338167 – 12V Halogen w/55' Cable (NLA use A338167-1 below)

P/N A384185 – 24V Halogen w/35' Cable (NLA)

Product Dimensions: 48 x 6 x 3 inches

Shipping Weight: 18.4 pounds

Temperature Range: -22° to +122°F

Amber LED Safety Director



Safety Director™

Features 9 Flash Patterns

P/N A249901 – 12V LED w/35' Cable (formerly Halogen above)

P/N A338167-1 - 12V LED w/55' Cable

Product Dimensions: 48.1 x 4.5 x 2 inches

Shipping Weight: 8 pounds



A120491 LIGHT BAR



Level	Part Number	Description	Quantity	U/M	SC
	Part Number A120493	* LIGHTBAR, CAB MOUNTED, PSE MODEL 6000H			
1	A120491	LIGHTBAR, PSE MODEL 6000H	1	EA	P
1	A120492	MOUNTING KIT, LIGHTBAR	1	EA	P
1	A120180	SWITCH, TOGGLE, SPST, OFF-ON	1	EA	P
1	18-0126	GROMMET, 5/16" ID X 13/16" OD, BUN	1	EA	P



WHELEN® STROBE OPTIONS



A380667



A249064

Part Number A249066 INSTALL STROBE HEADLIGHT ASSY WHELAN HA

Level	Part Number	Description	Quantity	U/M	SC
1	A380667	STROBE SYSTEM,HIDE-AWAY,AMBER	2	EA	P
1	A249400	EXTENSION CABLE,25FT,HIDE-AWAY	2	EA	P
1	A249064	POWER SUPPLY FOR A380667	1	EA	P
1	A120180	SWITCH,TOGGLE,SPST	1	EA	P
1	A121735	BOOT,TOGGLE SWITCH	1	EA	P
1	A221665	GROMMET,RUBBER,7/16" HOLE,.093	1	EA	P



A121051

Part Number A249066-1 * INST. STROBES,HIDE-AWAY,IN TURN SIGNAL

Level	Part Number	Description	Quantity	U/M	SC
1	A121051	STROBE SYSTEM,HIDE-AWAY,AMBER,	1	EA	P
1	A249400	EXTENSION CABLE,25FT,HIDE-AWAY	2	EA	P
1	A120180	SWITCH,TOGGLE,SPST	1	EA	P
1	A121735	BOOT,TOGGLE SWITCH	1	EA	P
1	A221665	GROMMET,RUBBER,7/16" HOLE,.093	1	EA	P



A380668



Part Number A380714 STROBE,LINEAR,MOUNTED IN REAR BUMPER

Level	Part Number	Description	Quantity	U/M	SC
1	A380668	STROBE,LINEAR,LIGHTHEAD	2	EA	P
1	A249400	EXTENSION CABLE,25FT,HIDE-AWAY	2	EA	P
1	A120180	SWITCH,TOGGLE,SPST	1	EA	P
1	A121735	BOOT,TOGGLE SWITCH	1	EA	P
1	A221665	GROMMET,RUBBER,7/16" HOLE,.093	1	EA	P



WHELEN® STROBE OPTIONS



A381522



A381514



A381524

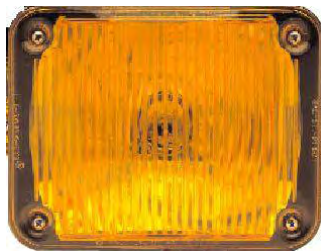
Part Number A381525 STROBES,REAR BUMPER, GROMMET MTD,AMBER

Level	Part Number	Description	Quantity	U/M	SC
1	A381522	LIGHT,STROBE,LINEAR,AMBER,OVAL	2	EA	P
1	A120180	SWITCH,TOGGLE,SPST	1	EA	P
1	A221665	GROMMET,RUBBER,7/16" HOLE,.093	1	EA	P
1	A381514	RUBBER GROMMET KIT,500 SERIES	2	EA	P
1	A381523	CABLE,EXTENSION,40',REAR STROB	2	EA	P
1	A381524	POWER SUPPLY,2LIGHT,REAR STROB	1	EA	P



Part Number A381525-1 * STROBES,LED,REAR,AMBER,BRACKET MTD.

Level	Part Number	Description	Quantity	U/M	SC
1	A381522	LIGHT,STROBE,LED,AMBER,OVAL,RR	2	EA	P
1	A120180	SWITCH,TOGGLE,SPST,OFF-ON	1	EA	P
1	18-0126	GROMMET,5/16" ID X 13/16"OD,BUN	1	EA	P
1	A381514	RUBBER GROMMET KIT,500 SERIES	2	EA	P
1	A381523	CABLE,EXTENSION,40',REAR STROB	2	EA	P
1	A381524	POWER SUPPLY,2LIGHT,REAR STROB	1	EA	P
1	A338673-L	BRACKET,OVAL STROBE,LH	1	EA	M
1	A338673-R	BRACKET,OVAL STROBE,RH	1	EA	M



A380669



A381524

Part Number A380713 STROBE,LINEAR,LIGHTHEAD,MTD FWD-LOW

Level	Part Number	Description	Quantity	U/M	SC
1	A380669	STROBE,LINEAR	2	EA	P
1	A381524	POWER SUPPLY,2LIGHT,REAR STROB	1	EA	P
1	A120180	SWITCH,TOGGLE,SPST	1	EA	P
1	A121735	BOOT,TOGGLE SWITCH	1	EA	P
1	A221665	GROMMET,RUBBER,7/16" HOLE,.093	1	EA	P
1	A249401	EXTENSION CABLE,40FT,F/A380669	2	EA	P
1	A249402	BRACKET, STROBE LIGHTHEAD	2	EA	M



WHELEN® STROBE OPTIONS

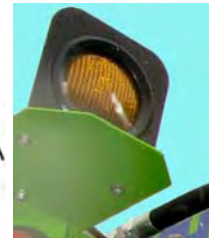
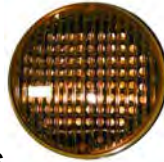


Part Number A383168-1 * STROBE OPTION,LED,FRONT OF GRILL,CLEAR

Level	Part Number	Description	Quantity	U/M	SC
1	A383168	LIGHT,STROBE,WHELEN	2	EA	P
1	A120180	SWITCH,TOGGLE,SPST,OFF-ON	1	EA	P
1	A121735	BOOT,TOGGLE SWITCH	1	EA	P
1	18-0126	GROMMET,5/16"ID X 13/16"OD,BUN	1	EA	P



A380096



Part Number A000403-23035 * STROBE OPTION ON UNIT,WHELEN PAR 32

Level	Part Number	Description	Quantity	U/M	SC
1	A380096	STROBE LIGHT, WHELEN, PAR 32,	2	EA	P
1	A380865	GROMMET, 4" ROUND S/T/T LP,(TR	2	EA	P
1	A120180	SWITCH,TOGGLE,SPST	1	EA	P
1	A221665	GROMMET,RUBBER,7/16" HOLE,.093	1	EA	P

Part Number A000403-7-LR * STROBE OPTION ON UNIT,PAR 32 LED

Level	Part Number	Description	Quantity	U/M	SC
1	A241841-P	STROBE MOUNTING PLATE	1	EA	P
1	A380096	STROBE LIGHT, WHELEN, PAR 32,	1	EA	P
1	A120180	SWITCH,TOGGLE,SPST	1	EA	P
1	A121735	BOOT,TOGGLE SWITCH	1	EA	P
1	A221665	GROMMET,RUBBER,7/16" HOLE,.093	1	EA	P
1	A383203	BRACKET,STROBE,PAR 32	1	EA	M
1	A380865	GROMMET, 4" ROUND S/T/T LP,(TR	1	EA	P



A122085



Part Number A120109 * DUAL STROBE LIGHTS, BOOM MOUNTED

Level	Part Number	Description	Quantity	U/M	SC
1	A122085	OBS,STROBE,WHELEN ***NLA***	2	EA	P
1	A120180	SWITCH,TOGGLE,SPST	1	EA	P
1	A121735	BOOT,TOGGLE SWITCH	1	EA	P
1	A120540	REEL,CORD,20'	1	EA	P
1	A236182-5	HYDRAULIC LINE,3/4" TUBE W/37	1	EA	M
1	A338810	BRACKET,BOOM MOUNTED STROBE	2	EA	M



WHELEN® STROBE OPTIONS



A122084

Part Number A000403-8-DUAL * STROBE,DUAL,LED,REAR CORNERS OF UNIT

Part Number A000403-8-LF * STROBE,LED,ON UNIT,LEFT FRONT

Part Number A000403-8-LR * STROBE,LED,ON UNIT,LEFT REAR

Level	Part Number	Description	Quantity	U/M	SC
1	A241841	STROBE MOUNTING PLATE	2	EA	M
1	A122084	BEACON,WHELEN,SUPER LED 360	2	EA	P
1	A120180	SWITCH,TOGGLE,SPST,OFF-ON	1	EA	P
1	A121735	BOOT,TOGGLE SWITCH	1	EA	P
1	18-0126	GROMMET,5/16" ID X 13/16"OD,BUN	1	EA	P

Part Number A000403-8-RF * STROBE,LED,ON UNIT,RIGHT FRONT

Part Number A000403-8-RR * STROBE,LED,ON UNIT,RIGHT REAR

Level	Part Number	Description	Quantity	U/M	SC
1	A241841-8	STROBE MOUNTING PLATE	1	EA	M
1	A122084	BEACON,WHELEN,SUPER LED 360	1	EA	P
1	A120180	SWITCH,TOGGLE,SPST,OFF-ON	1	EA	P
1	A121735	BOOT,TOGGLE SWITCH	1	EA	P
1	18-0126	GROMMET,5/16" ID X 13/16"OD,BUN	1	EA	P

Part Number A000403-16-LD-DUAL * STROBES,LED,ON UNIT,REAR CORNER,BOLT

Level	Part Number	Description	Quantity	U/M	SC
1	A385418	STROBE MOUNTING PLATE	2	EA	M
1	A122084	BEACON,WHELEN,SUPER LED 360	2	EA	P
1	A120180	SWITCH,TOGGLE,SPST,OFF-ON	1	EA	P
1	A121735	BOOT,TOGGLE SWITCH	1	EA	P
1	18-0126	GROMMET,5/16" ID X 13/16"OD,BUN	1	EA	P
1	7118150650	SCREW,CAP,HEX,5/16" -18 X 3/4"L	4	EA	P
1	7950150112	WASHER,PLAIN,5/16",USS,HA,YZ	4	EA	P
1	7660151010	NUT,LOCK,5/16" -18 TOP CRIMPED,	4	EA	P

Part Number A000403-16-LED-LR * STROBE,LED,ON UNIT,LEFT REAR,BOLT-ON

Part Number A000403-16-LED-RR * STROBE,LED,ON UNIT,RIGHT REAR,BOLT-ON

Level	Part Number	Description	Quantity	U/M	SC
1	A385418	STROBE MOUNTING PLATE	1	EA	M
1	A122084	BEACON,WHELEN,SUPER LED 360	1	EA	P
1	A120180	SWITCH,TOGGLE,SPST,OFF-ON	1	EA	P
1	A121735	BOOT,TOGGLE SWITCH	1	EA	P
1	18-0126	GROMMET,5/16" ID X 13/16"OD,BUN	1	EA	P
1	7118150650	SCREW,CAP,HEX,5/16" -18 X 3/4"L	2	EA	P
1	7950150112	WASHER,PLAIN,5/16",USS,HA,YZ	2	EA	P
1	7660151010	NUT,LOCK,5/16" -18 TOP CRIMPED,	2	EA	P

A000404-12	* STROBES,LED,DUAL	2.0000	1
A000404-9	* STROBES,LED,DUAL	2.0000	1
A000404-LED	* STROBE,LED,MTD ON	1.0000	1
A000404-LED-1	* STROBE,LED,BEHIND	1.0000	1



WHELEN® STROBE OPTIONS



A122321

Part Number A000403-2 * STROBE LIGHT ON UNIT,WHELEN

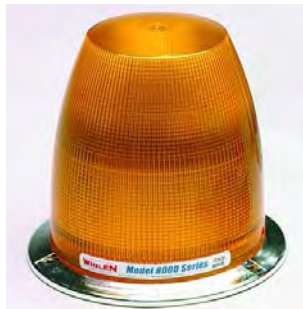
Level	Part Number	Description	Quantity	U/M	SC
1	A241841 -P	STROBE MOUNTING PLATE	1	EA	P
1	A122321	STROBE LIGHT, WHELEN	1	EA	P
1	A120180	SWITCH,TOGGLE,SPST	1	EA	P
1	A121735	BOOT,TOGGLE SWITCH	1	EA	P
1	A221665	GROMMET,RUBBER,7/16" HOLE,.093	1	EA	P



A382304

Part Number A000404-26005 STROBE OPTION, CAB MOUNTED

Level	Part Number	Description	Quantity	U/M	SC
1	A382304	STROBE BEACON, HIGH DOME, AMBER	2	EA	P
1	A120180	SWITCH,TOGGLE,SPST	1	EA	P
1	A121735	BOOT,TOGGLE SWITCH	1	EA	P
1	A221665	GROMMET,RUBBER,7/16" HOLE,.093	1	EA	P



A249062

Part Number A249063 INSTALL WHELAN 800DLAP STROBE ON UNIT

Level	Part Number	Description	Quantity	U/M	SC
1	A241841 -3	STROBE MOUNTING PLATE,WHELAN	1	EA	M
1	A249062	STROBE LIGHT,WHELAN	1	EA	P
1	A120180	SWITCH,TOGGLE,SPST	1	EA	P
1	A121735	BOOT,TOGGLE SWITCH	1	EA	P
1	A221665	GROMMET,RUBBER,7/16" HOLE,.093	1	EA	P



WHELEN® STROBE OPTIONS



A122083

Part Number A000403-5 * STROBE ON UNIT,WHELEN S360

Level	Part Number	Description	Quantity	U/M	SC
1	A241841-P	STROBE MOUNTING PLATE	1	EA	P
1	A122083	STROBE LIGHT,WHELEN AMBER	1	EA	P
1	A120180	SWITCH,TOGGLE,SPST	1	EA	P
1	A121735	BOOT,TOGGLE SWITCH	1	EA	P
1	A221665	GROMMET,RUBBER,7/16" HOLE,.093	1	EA	P

Part Number A000403-5-RR STROBE ON UNIT,BOLT ON, RIGHT REAR

Level	Part Number	Description	Quantity	U/M	SC
1	A241841-5	BRACKET,BEACON/STROBE,BOLT-ON	1	EA	M
1	A122083	STROBE LIGHT,WHELEN AMBER	1	EA	P
1	A120180	SWITCH,TOGGLE,SPST	1	EA	P
1	A121735	BOOT,TOGGLE SWITCH	1	EA	P
1	A221665	GROMMET,RUBBER,7/16" HOLE,.093	1	EA	P

Part Number A000404-5 * STROBE ON CAB,WHELEN S360

Level	Part Number	Description	Quantity	U/M	SC
1	A122083	STROBE LIGHT,WHELEN	1	EA	P
1	A120180	SWITCH,TOGGLE,SPST	1	EA	P
1	A121735	BOOT,TOGGLE SWITCH	1	EA	P
1	A221665	GROMMET,RUBBER,7/16" HOLE,.093	1	EA	P

Part Number A000404-5-RR STROBE ON UNIT RR,,BOLT ON

Level	Part Number	Description	Quantity	U/M	SC
1	A122083	STROBE LIGHT,WHELEN	1	EA	P
1	A120180	SWITCH,TOGGLE,SPST	1	EA	P
1	A121735	BOOT,TOGGLE SWITCH	1	EA	P
1	A221665	GROMMET,RUBBER,7/16" HOLE,.093	1	EA	P

Part Number A249132 INSTALL STROBE LIGHTS ON REAR OF UNIT

Level	Part Number	Description	Quantity	U/M	SC
1	A241841-4	STROBE MOUNTING PLATE,WHELAN	2	EA	M
1	A000407	STROBE ON BODY	2	EA	P
1	A120180	SWITCH,TOGGLE,SPST	1	EA	P
1	A121735	BOOT,TOGGLE SWITCH	1	EA	P
1	A221665	GROMMET,RUBBER,7/16" HOLE,.093	1	EA	P

AQUATECH PARTS BULLETIN

Aquatech part number A121050 is a high profile, high intensity strobe light that has been used on various units for many years. In early 2005, Grote manufacturing replaced the original 7704 series with a newer 7767 series strobe. However, our engineering department did not assign a new part number when this change occurred. The appearance of both strobes is almost identical, however, the parts are not interchangeable. The older 7704 series came with a clear dust cover; on the 7767 series, the dust cover must be purchased separately as an option. When ordering a replacement part please advise us which strobe the part is for.



Older A121050

Found on older units to circa 2005
Amber Lens: TBA
Flash Tube: A121050-1



Newer A121050

Purchased since May 2005
Amber Lens: A121050-2
Flash Tube: A121050-1NS





A380028 Strobe Beacon



- High profile strobe combines advanced dome optics and high-performance power supply
- Advanced dome optics direct light output for maximum effectiveness
- Helical strobe tube fills entire dome with light
- Works at any voltage from 12-48 VDC
- Eight joule: SAE J1318 Class 2 approved
- Dimensions (D x H): 6.5" x 6" (165mm x 152mm)
- Flash Rate: Double Flash - 80 FPM
- Ship Weight: 1.5 lbs (0.7 kg)
- Current Draw: 0.9 amps at 12V to 0.25 amps at 48V

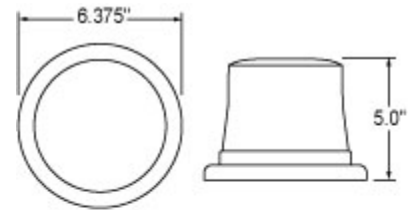
The power supply is moisture and vibration resistant and protected against reverse polarity, voltage spikes and RFI. The patented base design and O-ring gasket combine to seal out moisture and contaminants. All models feature modular construction that provides quick access to internal components. The impact-resistant, polycarbonate, dome and base provide added durability in heavy-duty applications.

Heavy Duty models feature a gel-filled base that completely encases the power supply for extra protection against vibration and moisture. The encased power supply allows superior performance in extreme high-vibration environments.

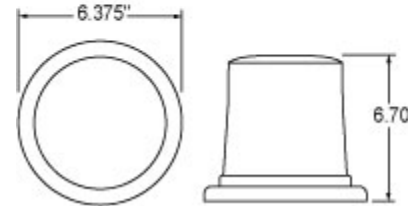


A338716

Low Profile Strobe



Low Profile



Medium Profile

- Quadruple flash (Quadflash) pattern that demands attention
- Complies with SAE J1318, Class 1, heavy duty
- Flash rate & intensity: 72 Quadflashes per minute, 18.6 Joules / 22 Watt output / 2,500,000 cp, 12-24 volt
- Heavy duty polycarbonate base & dome provides excellent durability & corrosion resistance
- Factory direct warranty minimizes downtime & replacement costs
- Industry leading RFI (radio frequency interference) protection
- Polarity protected
- Combination mounting: 3 #10 holes on 5 5/16" diameter circle or 1" NPT pipe mount
- Only 2.5 amp at 12 VDC, 1.25 amp at 24 VDC
- Review installation instructions & warning labels for proper use

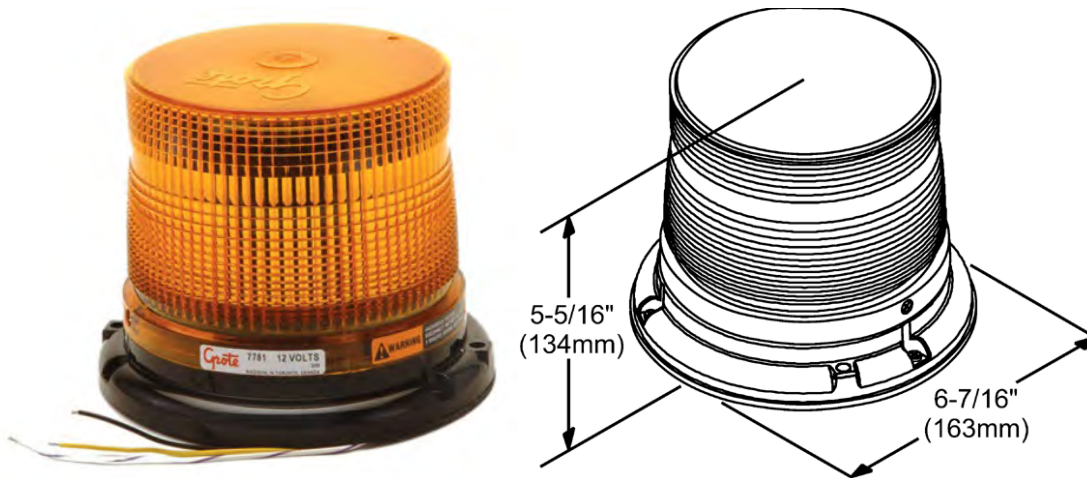


117 Industry Road • Marietta, Ohio 45750 • Tel. 740-374-2306 • Cust. Svc. Fax 740-374-3299



A338716-LED

Low Profile LED Strobe



FEATURES & BENEFITS

- Rated life of LED strobes up to 50x longer than standard strobes
- Select from 14 permanent flash patterns
- Greater visibility by creating a varied flash pattern vs standard strobes with a consistent flash pattern
- LED beacon design internally houses the flash control eliminating the need for an external power supply or ballast

TECHNICAL SPECIFICATIONS

- **Material:** Polycarbonate
- **FMVSS:** SAE: J845
- **Color:** Yellow
- **Class:** II
- **Voltage Amp:** 12V / .65 A (max)



Amber Rotating Beacons

A338200



- Reliable, powerful, and puts out a big, highly-visible signal.
- Open parabolic design reflector
- H1 100 watt halogen lamp,
- 200 flashes (rotations) per minute
- Dimensions: 6"H x 6"D
- Approximate Weight: 2 lbs.
- 12VDC, 8 amp
- Polycarbonate base and lens
- SAE J845, Class 1, California Title 13
- Permanent mount
- Weight: 2 lbs.

A120010



- Clutched gear box is sealed and permanently lubricated
- Revolves 360°, 60-120 flashes per minute
- Material: Stainless Steel / Aluminum / Acrylic / Polycarbonate
- Class: I
- Finish: Yellow
- Bulb: (2) 7400 Seal Beams, 33,000 CP
- Voltage Amp: 12V - 5.9 AMP
- Dimensions 8-7/16" OD x 8-1/4" H



AREA WORK LIGHTS

These lights can and have been mounted in various areas to provide illumination for the operator.

 <p>A120400 12VDC PAR36 seal beam lamp mounted in a rubber housing. The replacement lamp is p/n A120400-1.</p>	 <p>A120400-HELLA 9-30VDC LED Mega Beam. Diecast aluminum marine grade body, painted white. Light output is 600 Lumens.</p>
 <p>A120400-LED 4" Diameter 12.5VDC LED. Black powder coated housing. Light output is 500 Lumens. P/N A120400-LED-24 is the 24VDC version.</p>	 <p>A120400-SUPER-LED 12/24VDC PAR36 LED lamp mounted in a rubber housing. Light output is 500 Lumens.</p>



117 Industry Road • Marietta, Ohio 45750 • Tel. 740-374-2306 • ~~Cust. Svc. Fax 740-374-3299~~



BOOM WORKLIGHT OPTIONS

A120378
A120378-LED
A130278-SUPER-LED
A120378-24
A120378-24V-LED
A120378-1
A120378-2
A120378-3
A120378-3-HELLA
A120378-3-LED
A120378-6
A120378-6-HELLA
A120378-6-TL
A120378-7

PART NUMBER	PART DESCRIPTION	BOM FOR ABOVE INSTALLATIONS													
		A120378	A120378-LED	A130278-SUPER-LED	A120378-24	A120378-24V-LED	A120378-1	A120378-2	A120378-3	A120378-3-HELLA	A120378-3-LED	A120378-6	A120378-6-HELLA	A120378-6-TL	A120378-7
A120180	SWITCH,TOGGLE,SPST,OFF-ON	1	1	1	1		1	1	1						1
A120180-1	SWITCH,TOGGLE,SPST,OFF-ON,PLASTICIZED									1	1	1	1	1	
A120400	WORKLIGHT,RUBBER HSG.,12V SEALBEAM FLOOD	2					2	2	2			2			2
A120400-24	WORKLIGHT,RUBBER HSG.,24V SEALBEAM FLOOD				2										
A120400-HELLA	FLOODLIGHT,HELLA LED MEGA BEAM									2			2		
A120400-LED	FLOODLIGHT, 12V, LED		2								2				
A120400-LED-24	FLOODLIGHT, LED, 24VDC				2										
A120400-SUPER-LED	FLOOD/SPOT LIGHT,PAR-36 SUPER-LED,WHELEN			2											
A120400-TL	FLOODLIGHT,12V,TRUCK LITE														2
A120540-MOD	MODIFICATION,CORD REEL,20' RETRACTABLE	1	1	1	1		1	1	1	1	1	1	1	1	1
A121056	CLAMP,3/4" RUBBER COVERED,STEEL	2	2	2	2		2		2	2	2	2	2	2	2
A121735	BOOT,TOGGLE SWITCH	1	1							1	1	1	1	1	
A236182-2	WIRE GUIDE,3/4" TUBE,25'TELE BOOM END														1
A236182-4	WIRE GUIDE TUBE,BOOM LIGHTS,TELE. BOOM							2				1	1	1	
A236182-5	WIRE GUIDE TUBE,BOOM LIGHTS,19'RCH. BOOM	1	1	1	1										
A236182-8	WIRE GUIDE TUBE,BOOM LIGHTS,23'RCH. BOOM								1	1	1				
A236182-10	WIRE GUIDE TUBE,BOOM LIGHTS,25'RCH. BOOM						1								1
A381551	BRACKET,CORD RETRACTOR,BOOM SPOT LIGHTS							1							



HAND HELD WORKLIGHTS

A few years ago we ceased offering the retractable cord reel worklights on our B-Series combination units. Instead we opted to offer the high output Larson LED worklight below. It's advantage is that it can be unplugged and stored in a toolbox safe from weather and theft. Also, all of the worklights (shown below) that we have used with cordreels have been discontinued by their respective manufacturers.



A120530



A120533



A120532



A120535 (older)



A120535 (later)

If you need to replace one of these lights, we have two options available. 1.) Replace the entire cordreel and lamp with the plug in Larson lamp. 2.) Order the service replacement worklight below, cut most of the cord off and splice the remaining section to the existing (or new) cord reel.

CURRENT PRODUCTION WORKLIGHT

P/N 121001375 Rev A

Larson 12-24VDC High Intensity 10W LED. Currently this is the only worklight option we offer on new units. Comes with a 16' coiled cord that plugs into the cigarette lighter type receptacle on the control panel. If you wish to use this lamp with a unit that does not have a receptacle, you can order p/n 10000068 to add one to the rear panel. You will also will need an 1-1/8" hole saw to install it.



10000068

SERVICE REPLACEMENT WORKLIGHT

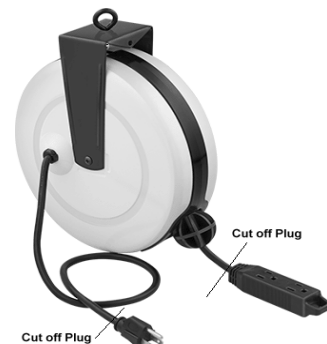
P/N 10000302

12V 150W Par 46, 300,000 Candle Power, 11.5A. Comes with a 12' long cord that can be used as a plug in light, but the cord is not coiled and may not be as convenient as the Larson. Also not being an LED, the bulb can become quite warm as did some of the original work lights.



CORD REELS

30' Retractable, Cord Reel	P/N A120540
50' Retractable, Cord Reel	P/N A120550





A304489

12V Hand Held Spotlight with Magnetic Base

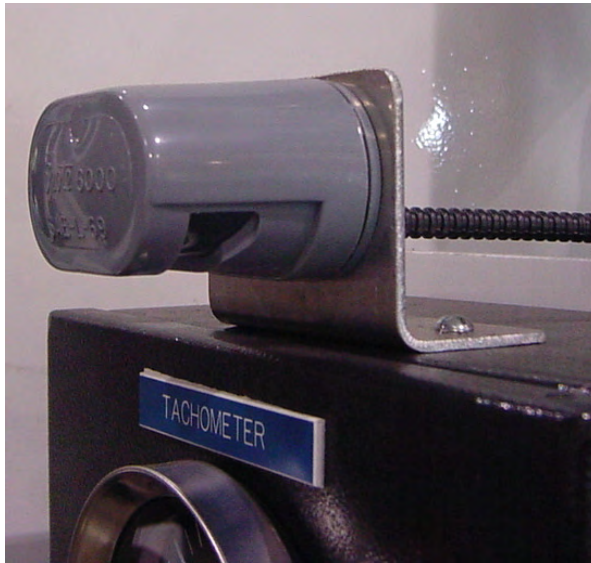
5-1/2" Long X 3-3/8" H, Protrudes 1-3/8"
Current Draw @ 12.8 VDC in "Solid" mode 1.5 amps peak, 0.85 amps.



FEATURES:

- 90# pull magnet mount.
- Built-in waterproof On/Off switch.
- 8' coiled cord and cigar plug.
- PAR 36 Lamp.
- Super-LEDs (6 diodes, 500 lumens) provide unmatched high intensity warning, low current consumption.
- Unique lens shape is completely illuminated with patented Linear-LED® designed reflector assembly, unlike older designs that may have "dead spots" or "hot spots".
- Lens and reflector are a sealed assembly.
- Replaceable light engine is accessed from the rear of the lens/reflector assembly.
- Hard coating on lenses resist scratches, chemical and corrosive damage.

OPTIONAL CONTROL PANEL LIGHT



A120020
CONTROL PANEL LIGHT, 12V
SHOWN MOUNTED ON AN A240061
BRACKET



A120020-LED
CONTROL PANEL LIGHT
12V LED



A384894
CONTROL PANEL LIGHT
9-32V LED



12V ELECTRICAL OUTLET

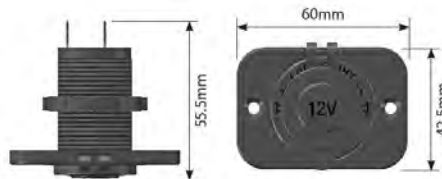
OPTIONAL ELECTRICAL OUTLET ON EARLIER MODELS (OPTION NO. A120705-1)

Level	Part Number	Description	Quantity	U/M	SC
1	782-1635	ADAPTER-CIGARETTE PLUG	1	EA	P
1	A121301	WIRE,12 GA,RED,PER FT.	2	FT	P
1	21-1404-08	BOLT,1/4"-20 HEX x 1"LG,	2	EA	P
1	A107050	NUT,1/4-20,HEX,PLT,GR8	2	EA	P



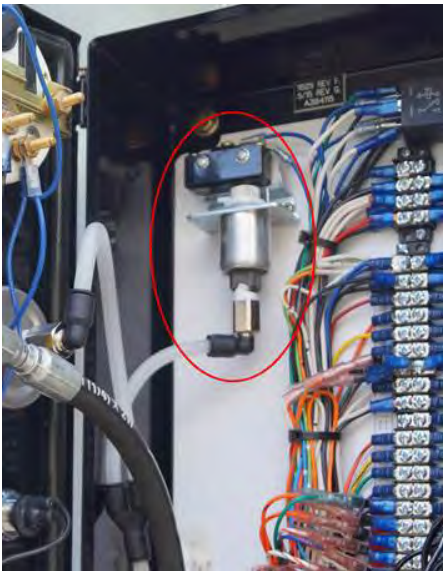
CURRENT 12V OUTLET

10000068



13-0100

VACUUM BREAKER CONTROL SWITCH



Turn the reference dial to desired set point by aligning setting on dial with dowel pin. (See Figure 3).

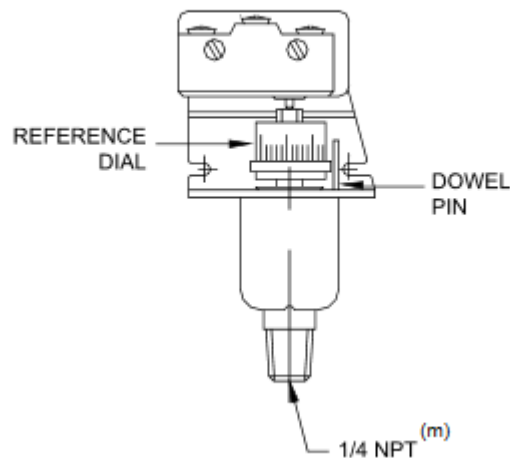
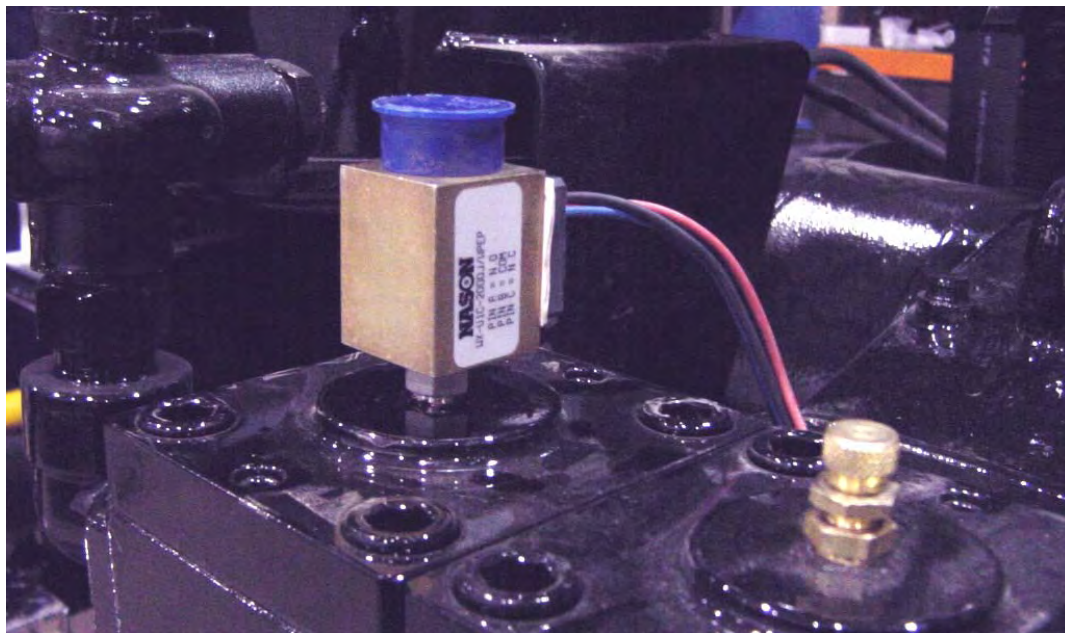


Figure 3



Part Number A120045 OVER PRESSURE WARNING LIGHT

Level	Part Number	Description	Quantity	U/M	SC
1	A122007	LIGHT,RED,2-WIRE	1	EA	P
1	A249341	SWITCH, WATER PRESSURE,ADJ. 70	1	EA	P
1	A221500	BUSHING,REDUCER,1/4" X 1/8",BR	1	EA	P
1	A135301	ADAPTER,ELBOW,90D,STREET,#4MNP	1	EA	P
1	A132841	TEE,PIPE,1",L,3000#,H.D.	1	EA	P
1	A133630	BUSHING,REDUCER,HEX,1/2"-1/8",	1	EA	P
1	A100018	NIPPLE, 1/8" CLOSE, 3000#	1	EA	P



A249341

PER RICK EMMERT 10/8/02, THIS REPLACES PART NUMBER A120242



A120242

AQUATECH®

A121704-4-KIT BOOM UP WARNING LIGHT & BUZZER

PART NO.	DESCRIPTION	QTY	U/M
A120835	CABLE STRAIN RELIEF	1	Ea.
A121705	SWITCH, LOAD LIMIT	1	Ea.
A121706	ACTUATOR, LOAD LIMIT SWITCH	1	Ea.
A249428	ALARM, AUDIBLE/VISUAL	1	Ea.
A384134	SWITCH, PRESSURE, NC OR NO, 60 PSI	1	Ea.
A384992	ADAPTER, TEE, 3/8" TUBE x 3/8" TUBE x 1/8" FNPT	1	Ea.

Note: Items below are not to scale in relation to each other.



A249428



A121705



A120835



A121706



A384992



A384134

See drawing no. A121704-4-KIT for wiring instructions.





A387594 BOOM LIMIT SWITCH INSTALLATION (OPTION)



Part Number	Description	Qty
A387522 B	BRACKET,BOOM ROTATION LIMIT SW	2
A387545 B	PLATE, ADJUSTABLE ARM - LIMIT	2
A121705	SWITCH, ROTARY LOAD LIMIT - 55	2
A121706-1	ACTUATOR,LIMIT SWITCH, ROD-13"	2



A121705

LIMIT SWITCH INSTALLATIONS

		A121704 Tank Up	A121704-1 Boom Up	A121704-2 Tank Door Open	A121704-3 Tank Up	A121704-4 Boom Up	A121704-4-IHC Boom Up	A121704-4-IHC-DUAL	A121704-5 Tank Up	A121704-6 Hose Reel Unsecure	A121704-8 Door Lock	A121704-9 Boom Up	A121704-10 Boom Up	A121704-11 Tank Up
A103568	SCREW,CAP,1/4"-20 X 1",HH,GR8,PLATED	4	1	1	1									4
A107290	WASHER,LOCK,1/4",PLATED,GR8	4	1	1	1									4
A120835	STRAIN RELIEF CONNECTOR,1/2" PLASTIC	1	1	1	1									1
A120909	TERMINAL,RING,1/4",20-18 AWG,U	1												1
A120926	TERMINAL,BUTT CONN.,20-18 AWG	2												2
A120001	ALARM,BACK-UP,12VDC,97DBL		1		1									
A121214	WIRE,16 GA,BLACK,PER FT.	30												30
A121240	LOOM,1/4" SPLIT PLASTIC,PER FT	30												30
A121290	WIRE,12 GA,YELLOW,PER FT.	3												3
A121705	SWITCH,ROTARY LOAD LIMIT,550VD	1	1		1	1	1	1	1		1	1	1	1
A121706	ACTUATOR,LIMIT SWITCH		1		1	1	1	1	1	1	1			
A121706-1	ACTUATOR,LIMIT SWITCH,STAINLESS ROD	1										1	1	1
A122007	PILOT LIGHT,RED,12V,2-WIRE	1	1	1	1		1							1
A122094-R	RED WARNING LIGHT ASSEMBLY,IHC						1	1						
A122095-R	LIGHT,RED LED INDICATOR,IHC DA							1						
A236201	WIRE,16GA.,RED,PER FT.	30												30
A249017	BRACKET LIMIT SWITCH MOUNTING	1		1	1				1		1		1	1
A249428	ALARM, AUDIBLE/VISUAL					1			1	1	1	1		1
A304119	COLLAR,SET,ALUMINUM,1-5/16" BO										1			
A384134	SWITCH,PRESSURE,NC OR NO,60PSI					1						1		
A384992	ADAPTER,TEE,3/8" TUBEx3/8" TUBEx1/8" FNPT					1						1		
A387568	CONTACT CARTRIDGE W/LATCH						1	1						
A387569	KEY MAINTAINED SELECTOR SWITCH						1	1						
13-1250	RELAY,12 VOLT,5 TERMINAL,20-30							1						
13-3508	SWITCH,LIMIT,DPDT,PUSH PLUNGER			1						1				



A249428



A121705



A384992



A387568



13-1250



A121706



A384134



A387569



13-3508



A121706-1



A122007



TV210 BACK-UP CAMERA SYSTEM

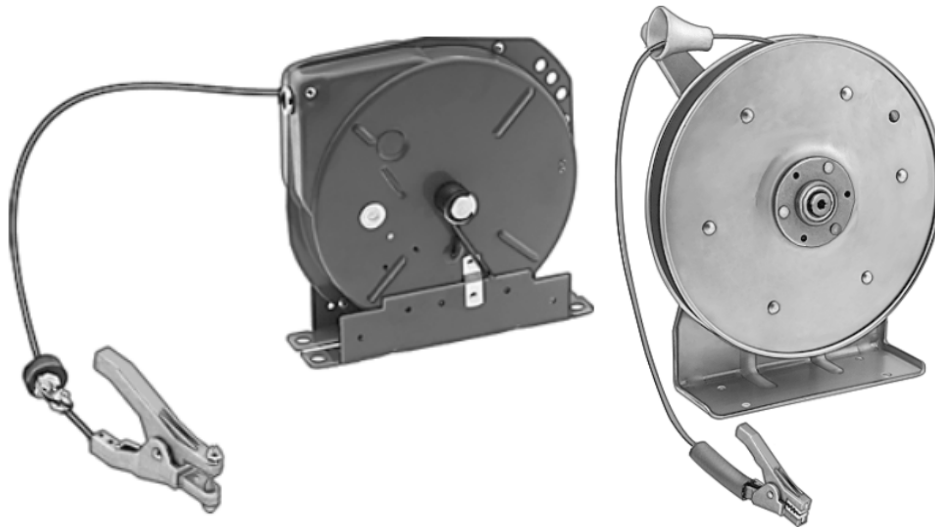
The following installation part numbers are for reference only...

A382557-1 BACK-UP CAMERA SYSTEM INSTALLED
A382557-3 BACK-UP CAMERA SYSTEM – 2 CAMERAS



PART NO.	DESCRIPTION
A382557	Back-up Camera System
A382557-4	33' Extension Cable
A382557-X	Extra Camera & 33' Cable

OPTIONAL STATIC GROUNDING CABLE AND REEL



STEEL REEL (SHOWN W/HAND CLAMP)

STAINLESS STEEL REEL (SHOWN W/HAND CLAMP)



ALLIGATOR CLIP

U8000-0177 – 50' STEEL REEL, ALLIGATOR CLIP, GALVANIZED CABLE

U8000-0178 – 50' STEEL REEL, HAND CLAMP, GALVANIZED CABLE – DROPPED *

U8000-0180 – 100' STAINLESS STEEL REEL, HAND CLAMP, SS CABLE – DROPPED *

*** HI-VAC NO LONGER OFFERS THIS ITEM, FOR REFERENCE ONLY**